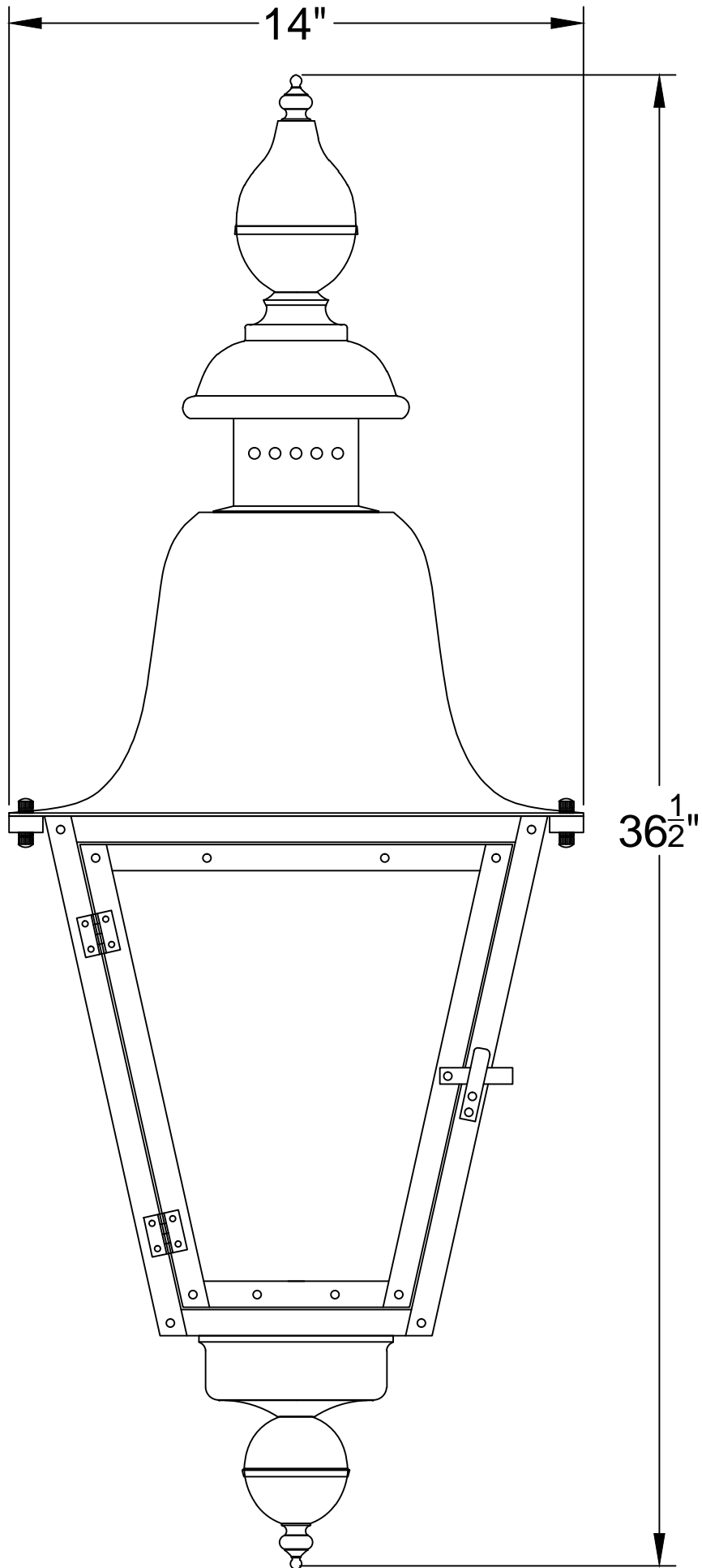
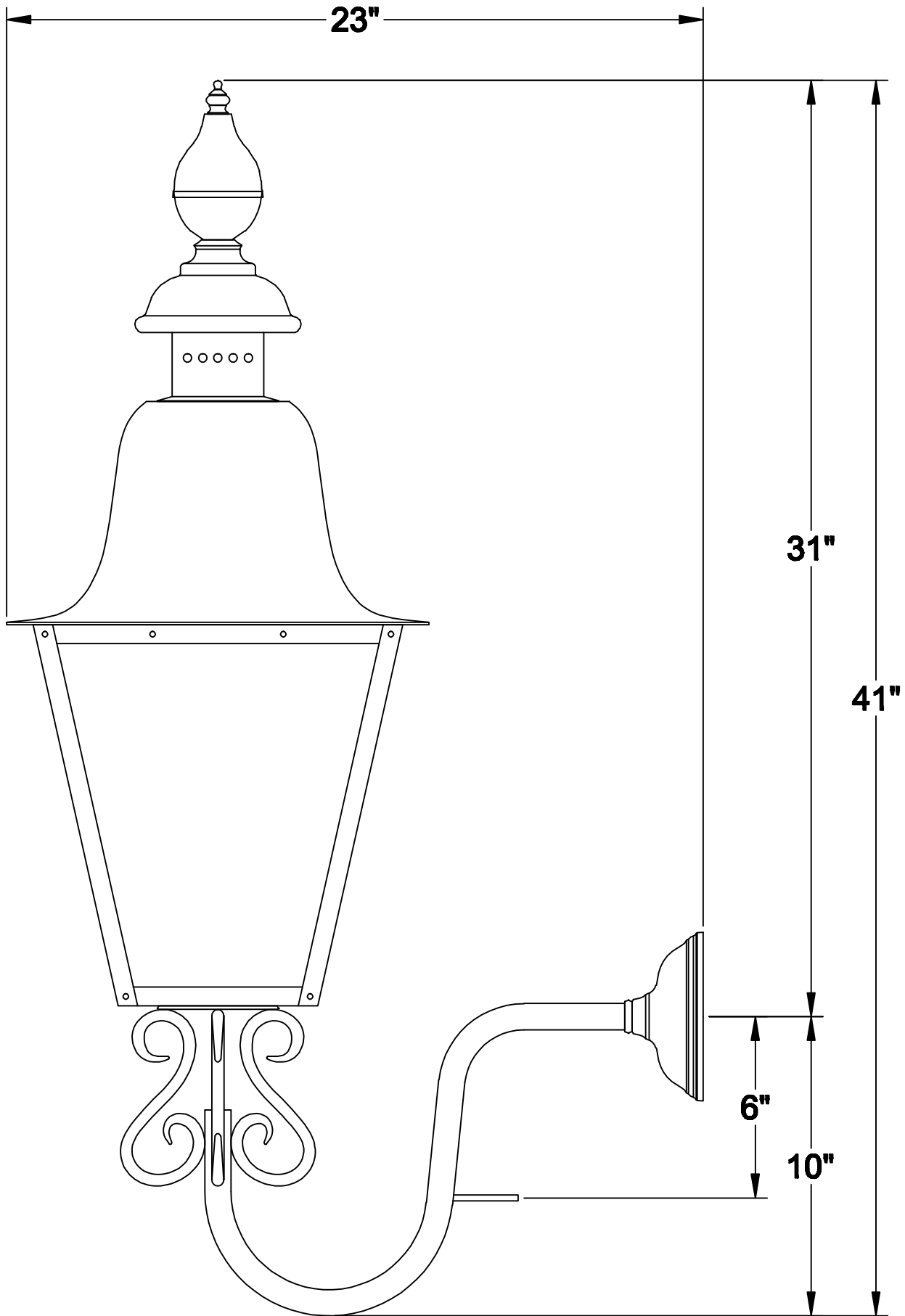


# AB-36



Front

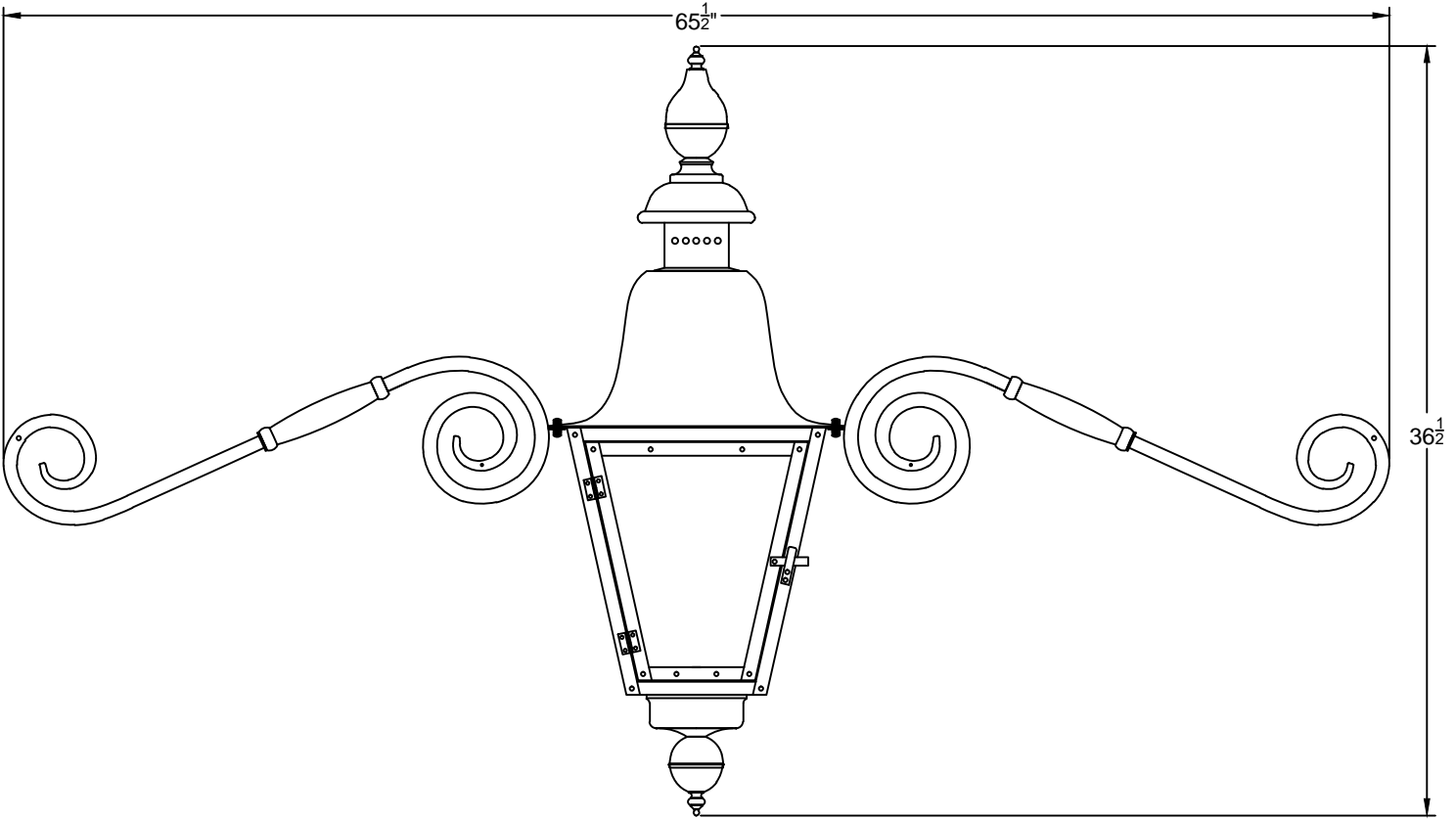
**AB-36**



**GN**

AB-36

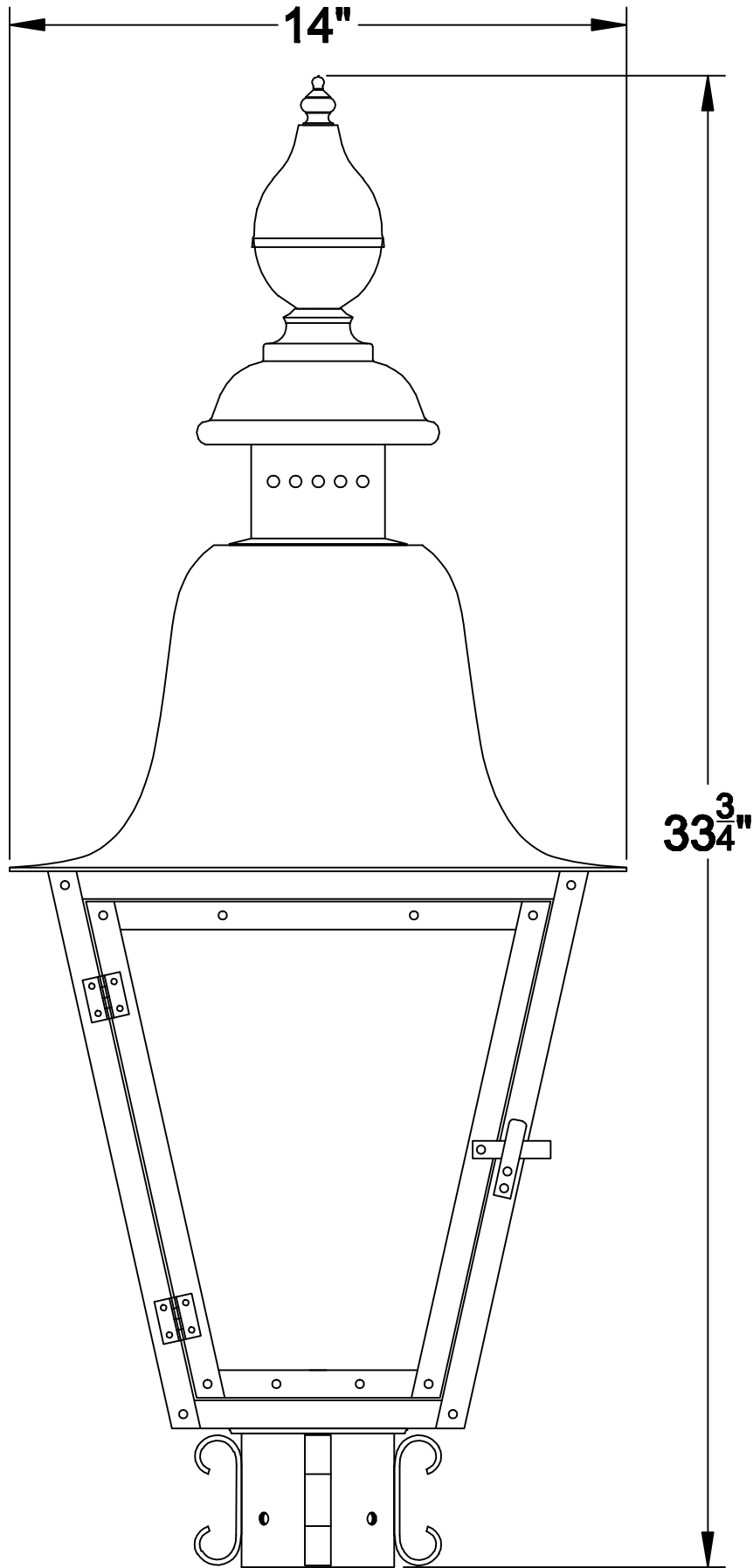
65 $\frac{1}{2}$ "



36 $\frac{1}{2}$ "

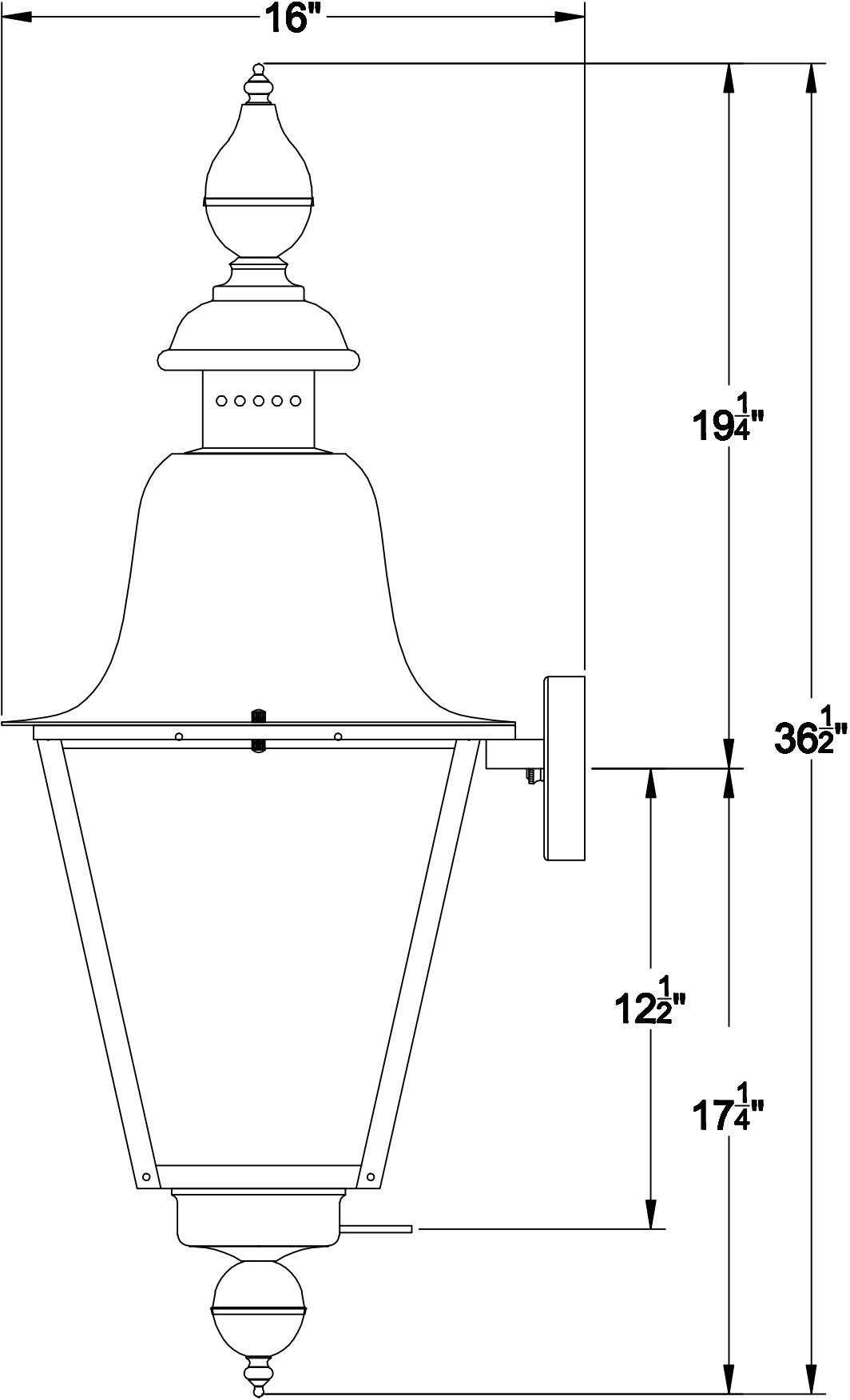
MU

**AB-36**



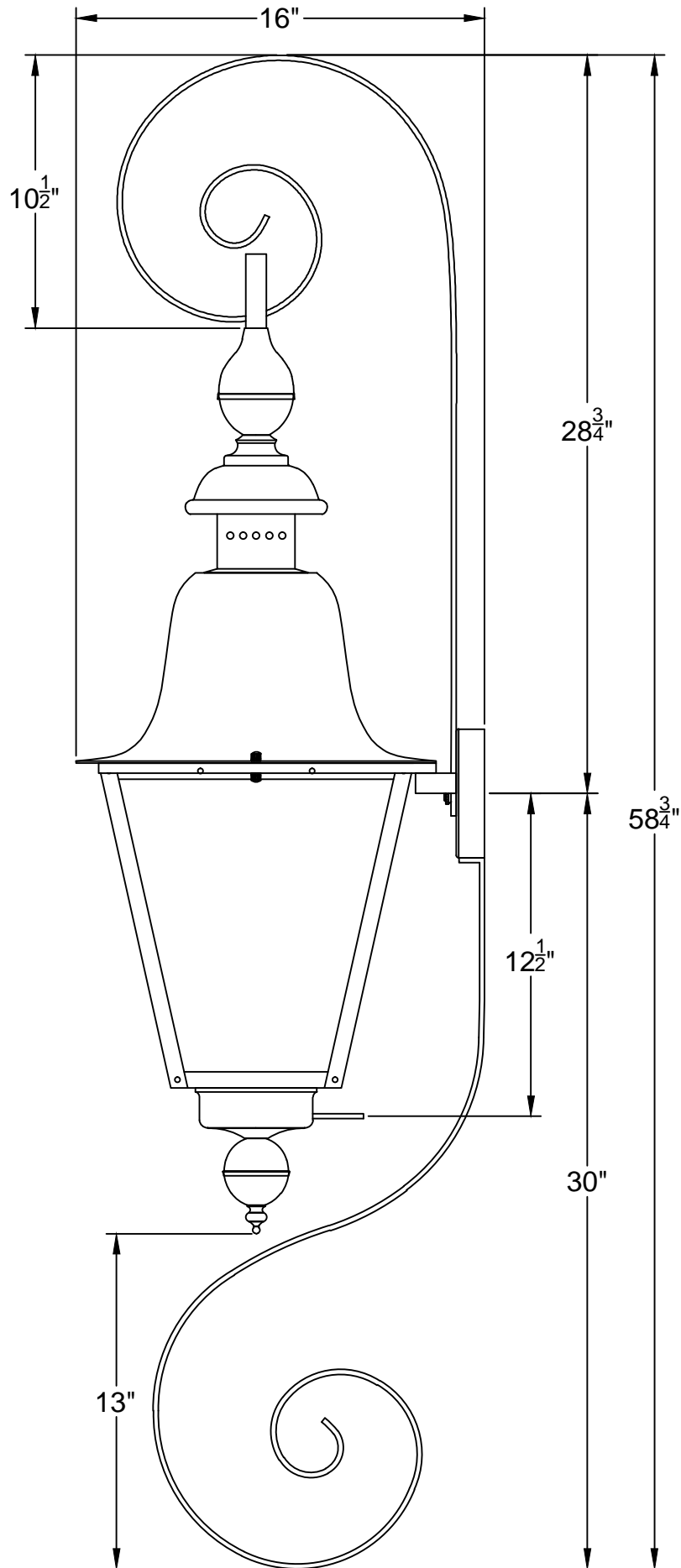
**PM**

# AB-36



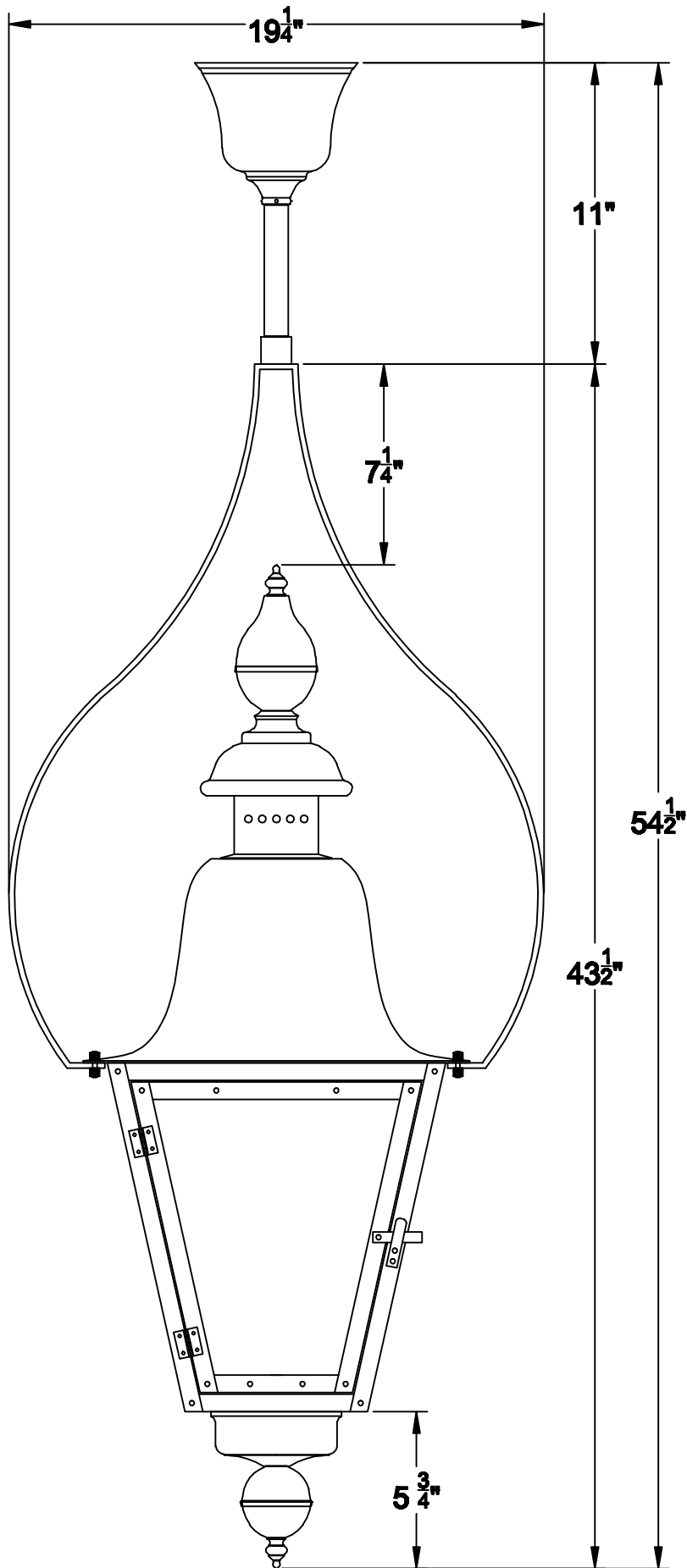
Side

AB-36



TS-4 BS-2

**AB-36**



**TY-3**